

Description

Body and finish

Wall luminaire developed for maintenance pits.

Electrogalvanized steel body 15/10 th thickness, coated with black epoxy paint RAL9005 (A), tempered glass front thickness 8 mm (B). Closing by ajustable and lockable lever clips.

Duble asymmetry reflector with high performance specular aluminium with 90 % reflection.

The flow distribution is of 70 % up and 30 % down. LED in 3 000 K or 4 000 K with opal diffuser. Connection via waterproof Wieland connector located at bottom of the body. Easily disconnectable for maintenance. Surface mounting by two side brackets and oblong holes.

Colour rendering index

CRI > 80

Lifespan

70 000 hours L80 (1).

LED

Led modules used in our products are classified as risk group 0: without risk (presents no photobiological hazard). SDCM = 3.

Accessories

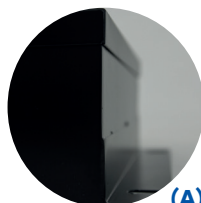
Other needs, contact us.



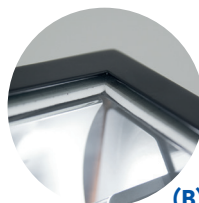
EEC Certificates

Under conditions, contact us.

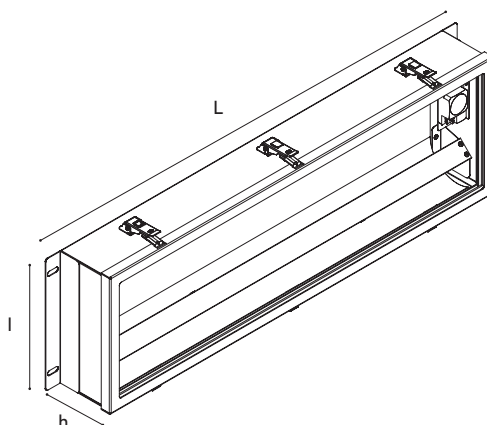
(1) L80 means that 90 % of the LEDs will have a flow greater than 80 % of the initial flow after 70 000 hrs. Therefore, at least 72 % of the initial globa flow is guaranteed after 70 000 h.



(A)



(B)

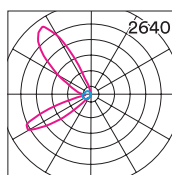


Dimensions

L = see chart p. 02

I = 275 mm

h = 114 mm



Photométrie

Unité : cd/klm

— C = 90.0/270.0°

— C = 0.0/180.0°

Glass front + reflector.

LED	IP 69K	IP 66	IK 10	960°

If despite the care devoted to producing this document, you think that it contains an error, feel free to let us know.

tél. +33 (0)5 49 91 06 78

fax. +33 (0)5 49 91 37 01

contact@sfel.fr

www.sfel.fr

655 mm	2 444 lm 94 lm/W ZIG220	26 W				
955 mm	3 666 lm 94 lm/W ZIG320	39 W				
1255 mm	4 888 lm 94 lm/W ZIG420	52 W				
8 year warranty	2 412 lm 83 lm/W ZIG220i	655 mm 29 W	3 616 lm 84 lm/W ZIG320i	955 mm 43 W	4 824 lm 83 lm/W ZIG420i	1255 mm 58 W

Standard options	Default options				
Power supply	Electronic B1	DALI B4	Pushbutton B6	Corridor program B7	DSI B8
Colour temperature	4 000 K H40	3 000 K H30			
Optic	Clear glass + double asymmetry reflector				
Detector	No detector	Motion detector CH			

Specific options

• Specific mounting accessories*

-

• Protective cap**

-***

• Other RAL paint

RAL

Data based on colour temperature of 4 000 K and operating ambient temperature Ta=25°C.

* Adaptable on posts.

** Mechanical and fluid protection.

*** ZIG220(i) / ZIG320(i) / ZIG420(i).